



20 Years Professional Car Parking Equipment Manufacturer
+ Parking Integrated Solution Provider



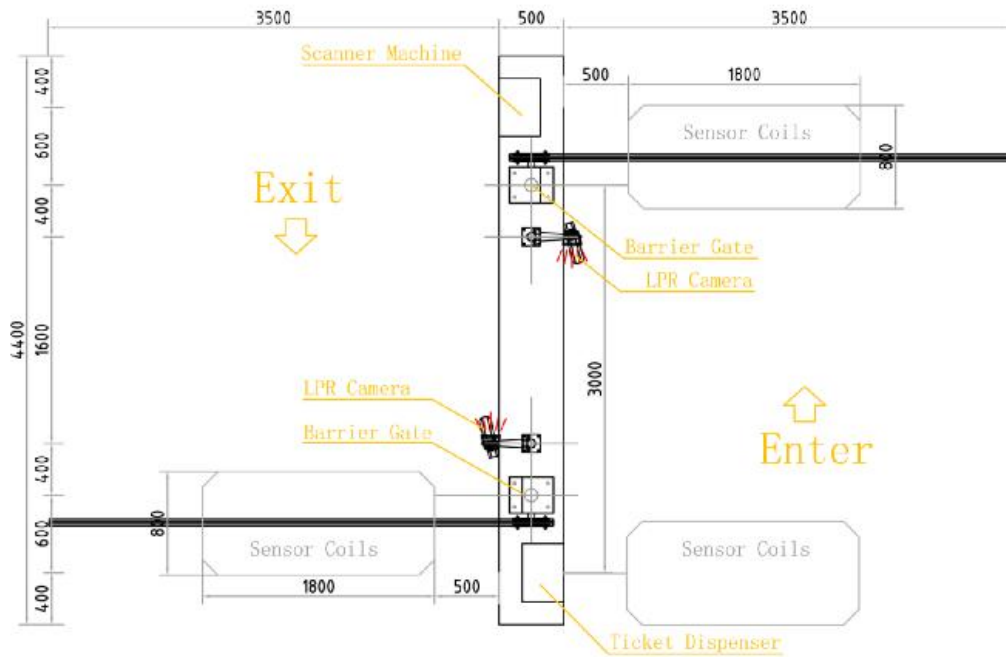
Add: 7th floor ,Lanbaoxing Building, No.333 Nansha Avenue, Nansha District, Guangzhou ,
China 511400

Tel: 0086-20-3900 5896 **whatsapp/Skype:** +86 13925025788 **Wechat:** 13925025788

Email: wilson@comaparking.com

<http://www.comaparking.com/>

Card Parking Management System



Features:

Heavy duty, well finished IP64 cabinet

The cabinet adopt cold-rolled plate and static electricity sprayed anti-UV surface which is no-scale and unfading, conformed to the IP64 dust-proof and waterproof.

User-Friendly LCD screen and voice prompt

The controller can be equipped with LCD/LED screen on which "welcome", "bye bye" and your company logo, time info are simply and friendly shown. Voice prompt gives a warm-hearted welcome and operation guide to parkers.



Unattended Entry & Exit

Unattended entry helps you reduce labor cost. Hourly parkers themselves take barcode ticket from entry station, scan paid ticket at exit station to leave.

While season parkers get access by self-service swiping their cards on entry station.



High Capacity Card Holder(Extend height)

High capacity of 300 to 350 cards makes it unnecessary to change paper frequently.

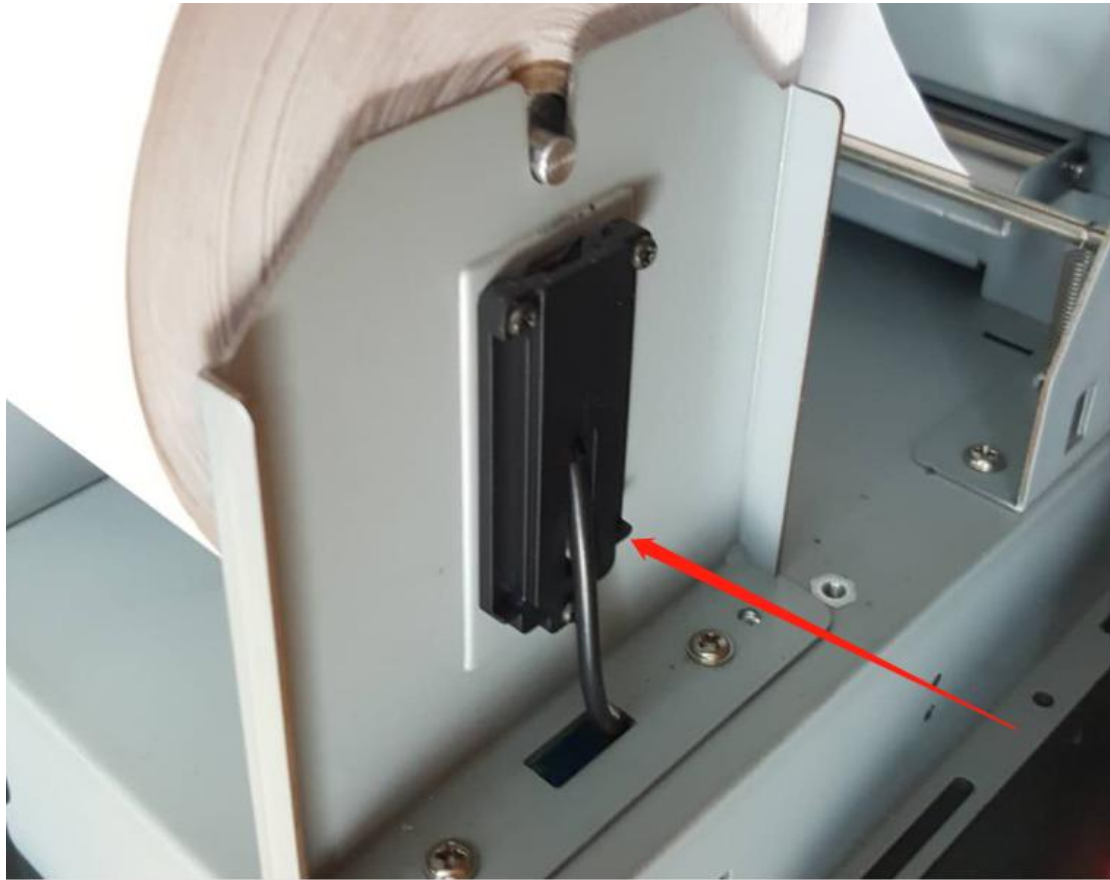


Latest module design



Lack Paper Reminding

When ticket is going to run out, management system will receive a alert message to remind to change paper roll, which is a humanized design.



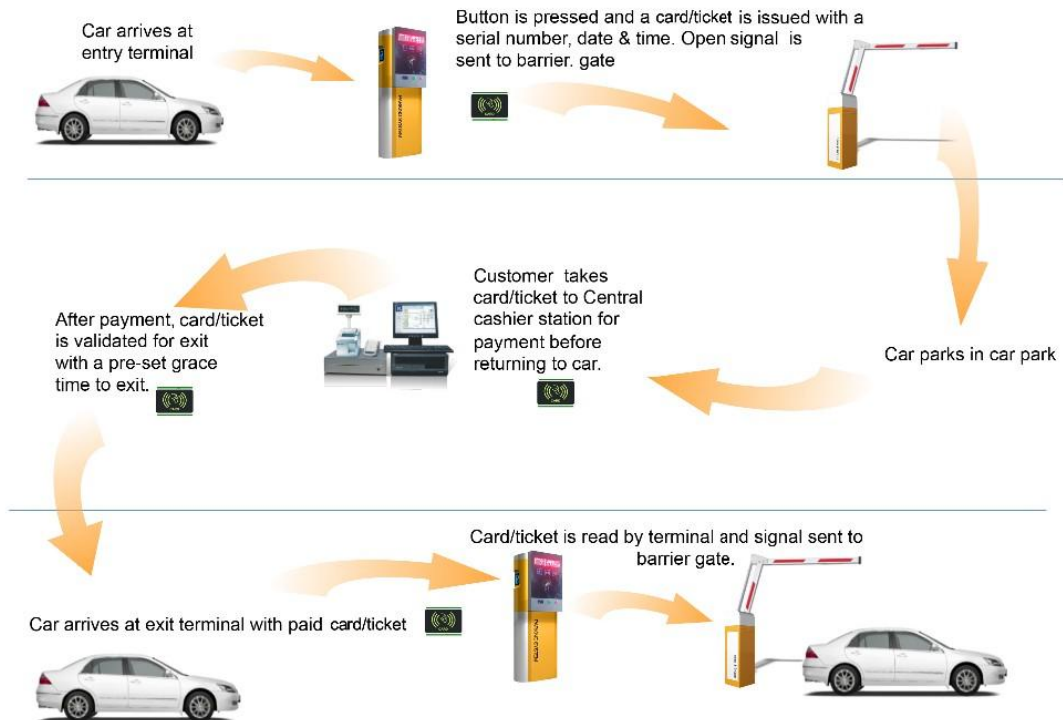
Season parkers leave by swiping card

Season parkers leave by self-service swiping their cards on exit station, which reduces your labor cost.



Ticket Dispensing & Ticket Scanner with Central Payment System

Hourly parkers take barcode ticket at entry, walk to central paypoint to pay cash, and drive to the exit to scan barcode ticket at exit scanner to leave, season parkers get access and leave by self-service swiping their cards on entry ticket dispenser and exit ticket scanner respectively. It's ideal solution for parking lots for shopping mall, airport, exhibition, residential area etc.



CENTRAL PAYMENT POINT

Hourly parkers pay cash at central payment point

By Automatic Payment Machine(APM or APS)

When leaving, hourly parker scan barcode ticket on APM, touch screen will display parking information and parking fee. Insert bill or coin, give change, and print a paid receipt. Go to exit station to scan barcode ticket which you took at the entrance, barrier gate open and vehicle exit.



  * This machine accepts bank note and coin.
* Please leave the parking lot within minutes after paid.

Payment Information

	Plate No. <input type="text"/>	Already Paid <input type="text"/>
	Enter Time <input type="text"/>	Still Need to Pay <input type="text"/>
	Parking Time <input type="text"/>	Coupon Fee <input type="text"/>
	Parking Fee <input type="text"/>	Change Amount <input type="text"/>

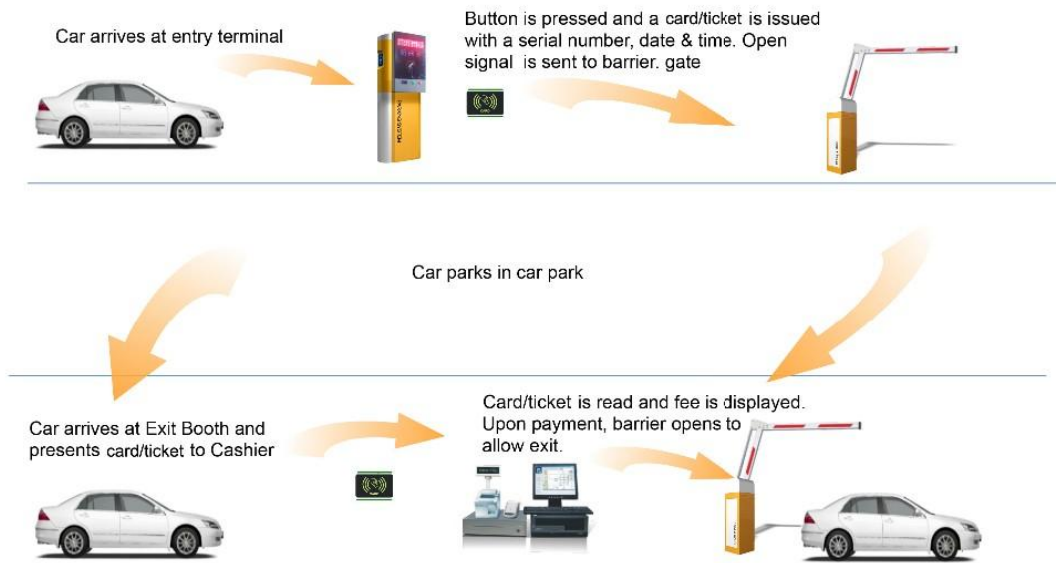
Self-service parking payment machine provides you convenient service.

By manual payment station:

When leaving, hourly parkers walk to central paypoint and give ticket to the guard, and the guard scan the ticket by a scanner and collect cash(can use POS machine to swipe bank card), then return the paid ticket to hourly parkers. The charging data will be displayed and paid info will be stored in parking system.



Ticket Dispensing & Ticket Scanner(Exit Payment Model)

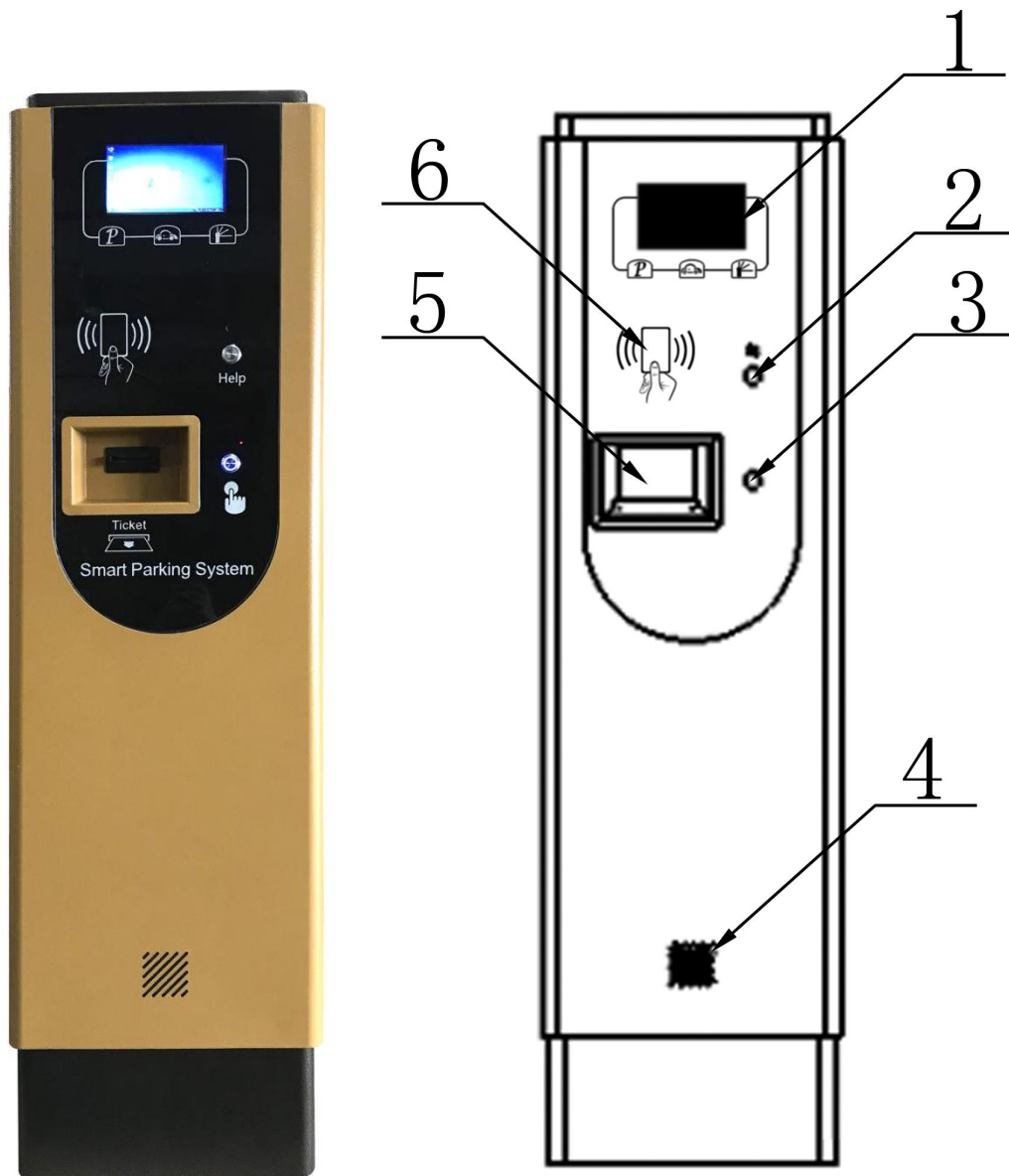


PAY AT EXIT PARKING SYSTEM



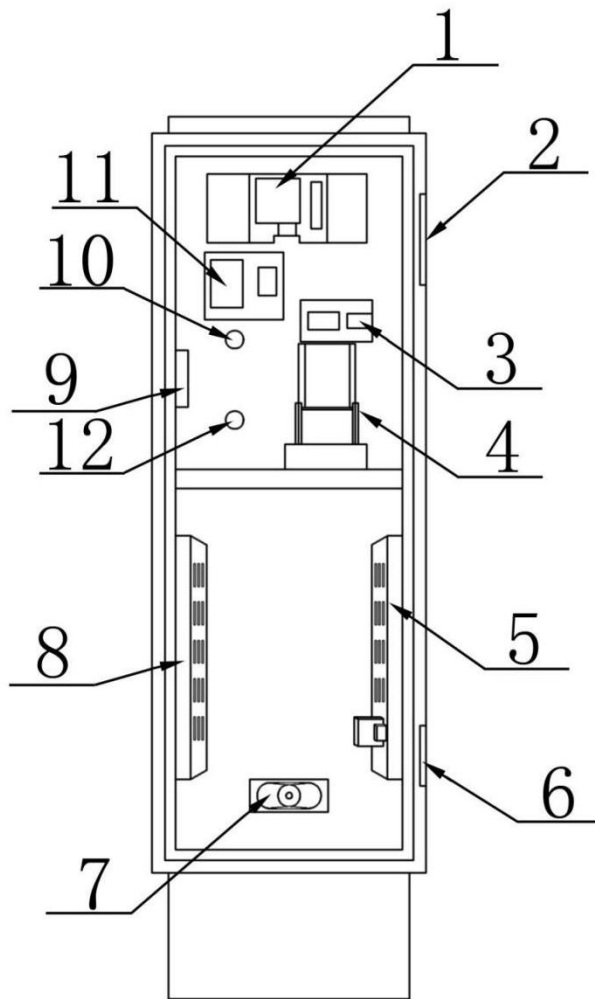


Card dispenser



NO.	ITEM
1	7" LCD Screen
2	Intercom button
3	Card button
4	Speaker for voice prompt
5	Card dispenser
6	IC/ID card reader

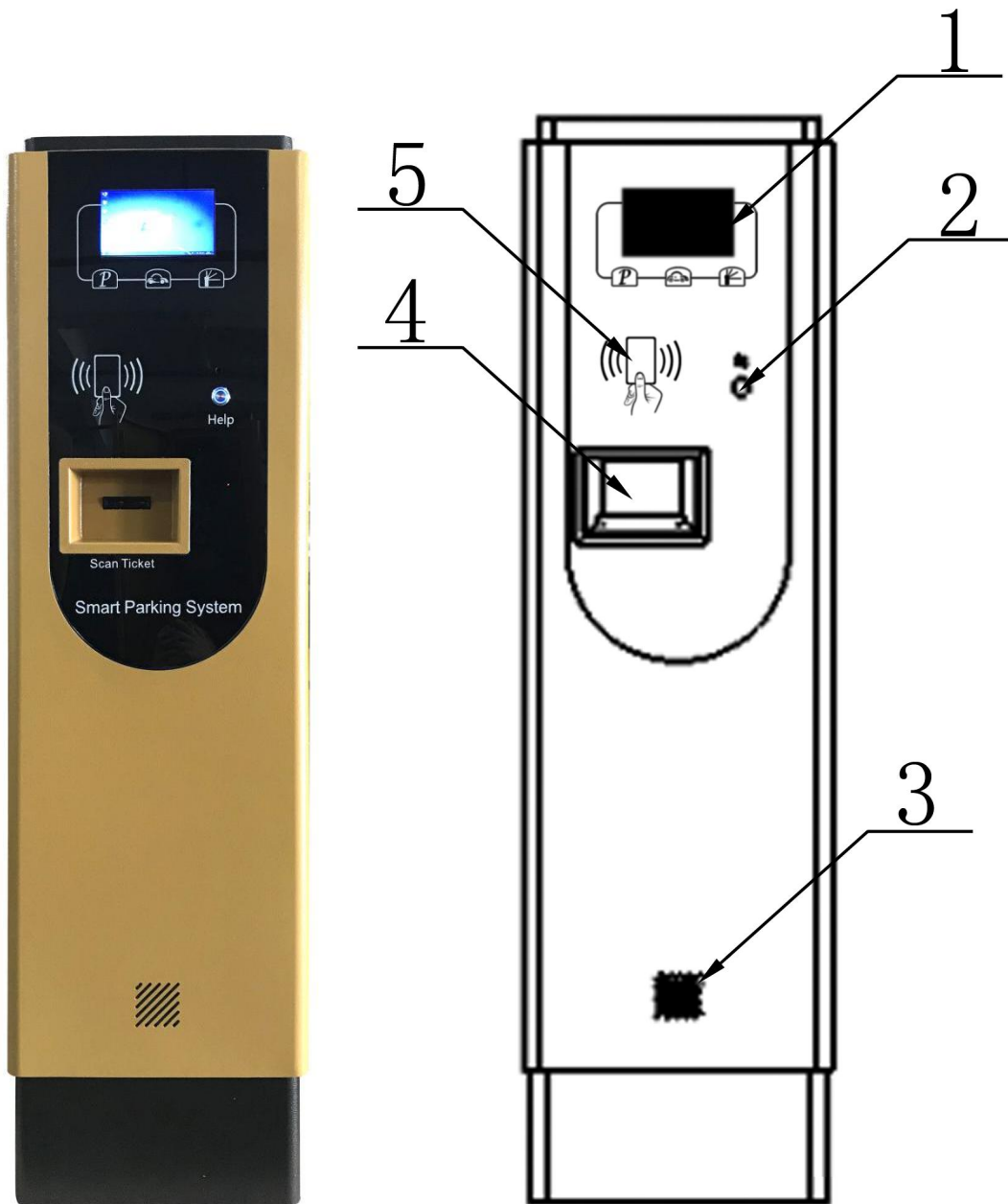
Internal Structure:



NO.	ITEM
1	7" LED Screen
2	LED light
3	IC/ID card reader
4	Card dispenser module
5	Power box and loop detector
6	LED light
7	Speaker for voice prompt
8	Industrial controller
9	Speaker for intercom
10	Intercom button
11	Intercom board
12	Card button

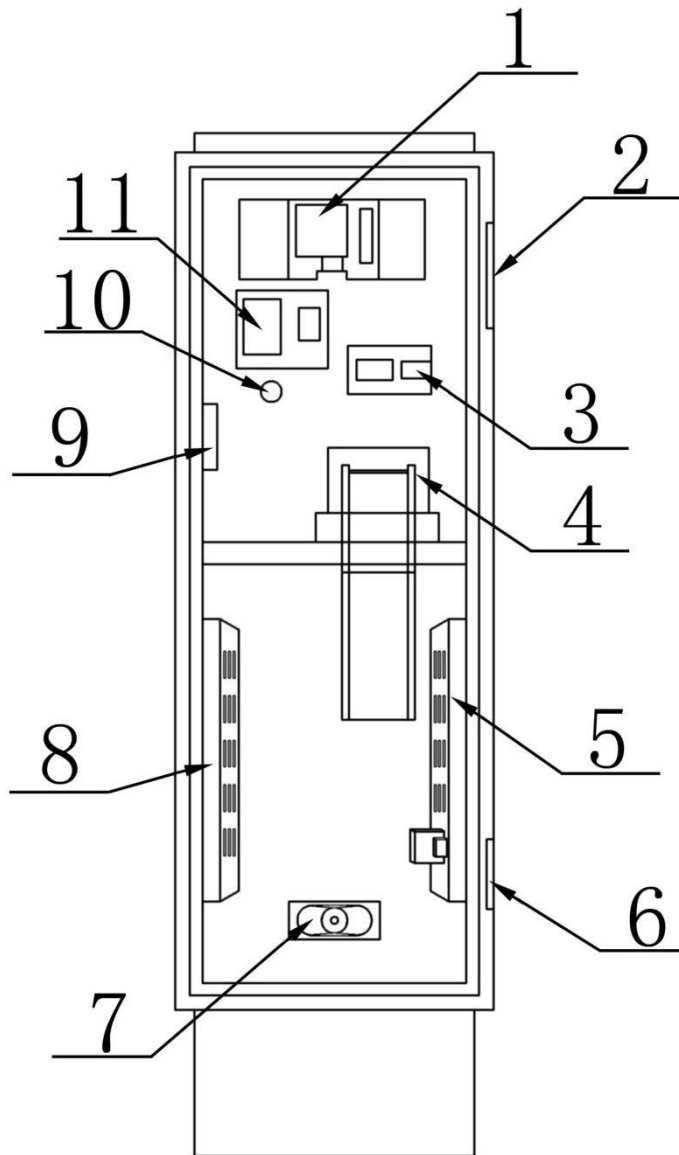
Specification	
Model	CMK800
Power supply	AC 110V/220V±10%, 50/60HZ, Max.1.5A
Environmental temperature:	-20°C- +50°C
Humidity:	10%~95%
Card thickness:	0.8-1.5mm
Card size:	90mm (L) ×50mm (W)
Card holder capacity:	Max. 230pcs
Card dispensing time:	<1s
Card reader Interface:	2 Nos, Rs232 interface
Card Reader type:	ID or IC card
Card reading and verifying time	<1s
Reading range:	0-8cm
LCD Display:	7 inch TFT resolution 480×800 Brightness: 400 cd/m ² Contrast: 500:1
Intelligent Control Unit:	J1900 4-cores, 2.0G
	Rs232×5 no.s
	Multi Relay output
	HDMI×1
	USB×4
	Audio output×1
Dimension (mm)	410*320*1470
Net weight: (KG)	45
Gross weight: (KG)	55

Card collector



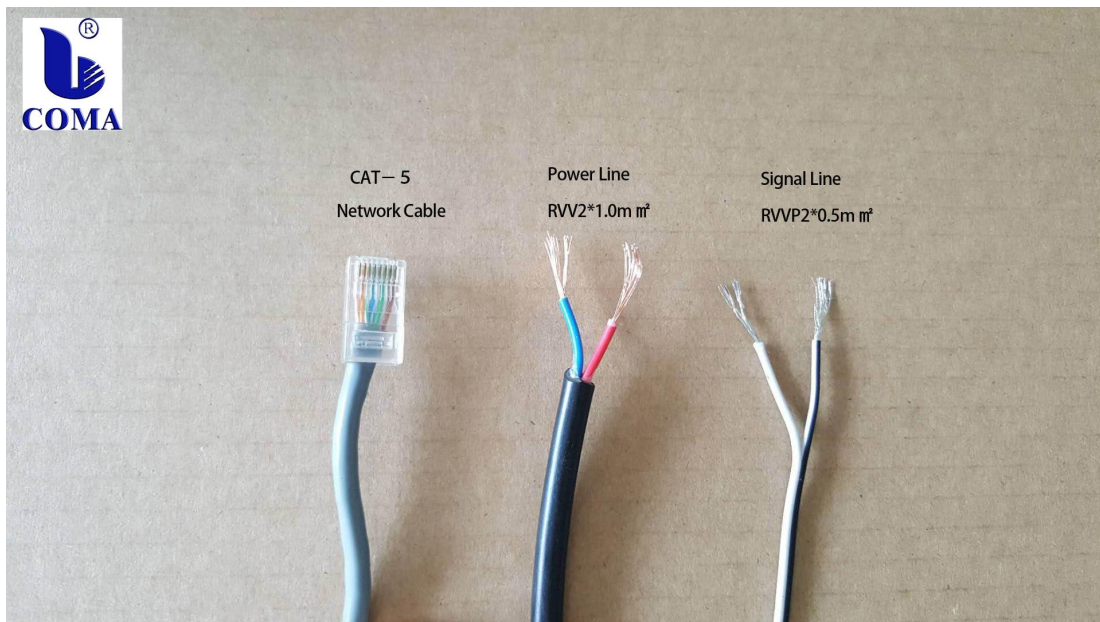
No.s	ITEM
1	7" LED Screen
2	Intercom button
3	Speaker for voice prompt
4	Card collector module
5	IC/ID card reader

Internal Structure:



NO.	ITEM
1	7" LED Screen
2	LED light
3	IC/ID card reader
4	Card collector module
5	Power box and loop detector
6	LED light
7	Speaker for voice prompt
8	Industrial controller
9	Speaker for intercom
10	Intercom button
11	Intercom board

Specification	
Model	CMK801
Power supply	AC110V/220V±10%, 50/60HZ, Max.1.5A
Environmental temperature:	-20°C - +50°C
Humidity:	10%~95%
Card thickness:	0.8-1.5mm
Card size:	90mm (L) ×50mm (W)
Card holder capacity:	Max.250pcs
Card dispensing time:	<1s
Card reader Interface:	2 Nos, Rs232 interface
Card Reader type:	IC/ ID card
Reading and verifying time	<1s
Reading range:	0-8cm
LCD Display:	7 inch TFT resolution 480×800 Brightness: 400 cd/m ² Contrast: 500:1
Intelligent Control Unit:	J1900 4-cores, 2.0G
	Rs232×5 no.s
	Multi Relay output
	HDMI×1
	USB×4
	Audio output×1
Dimension (mm)	410*320*1470
Net weight: (KG)	45
Gross weight: (KG)	55



There are 4 line/cable connect to ticket machine

1. Signal line to barrier gate(to open it)
2. Loop coils
3. Power supply
4. Network cable

