

Automatic high speed boom barrier gate for highway toll parking system



Product Description

The high speed boom barrier gate, with its fast speed of open and close, can greatly improve the vehicle passing speed and alleviate the road congestion. It is widely used in highway toll station or other places requiring high speed access.

The operating speed can reach 1S and 1.5S.

The max.length of boom for 1S is 3m, and the max.length of boom for 1.5S is 3.5m.

- Manual release device to operate the barrier when power off.
- Machine core with compression spring, effectively avoids accidents caused by broken spring.
- aluminum alloy casting, water proof
- Excellent performance. It has long service life, 3 million running times.
- Easy to integrate with other systems

Parameter

Color option	Orange
Operation speed	1S for 3m, 1.5S for 3.5m
Spring And Bearing	Heat Treatment: more durable, more than 5 million times through operation testing
Remote Control Distance	less than 50 meters
Working temperature	-35°C +95°C
G.W	60KG
Power supply	100-240VAC 50-60HZ
Motor power	90W/80W

Accessories Lists:

1. Wireless remote controller
2. The key of the cabinet door
3. Bracket supporting long boom
4. Fixing screws

Optional feature

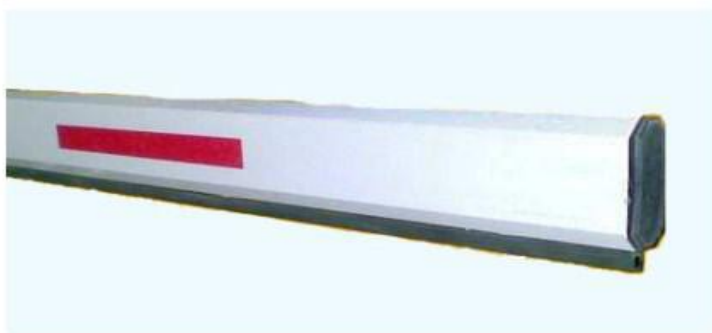
Anti collision

When hit by fast driving vehicle, the boom goes out of the holder which protects the boom

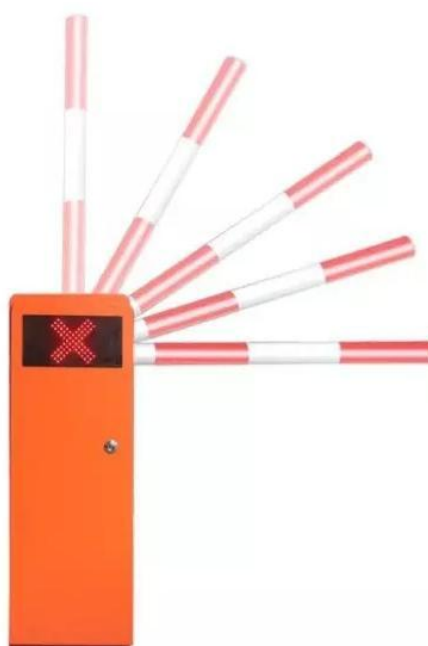


Anti-hit

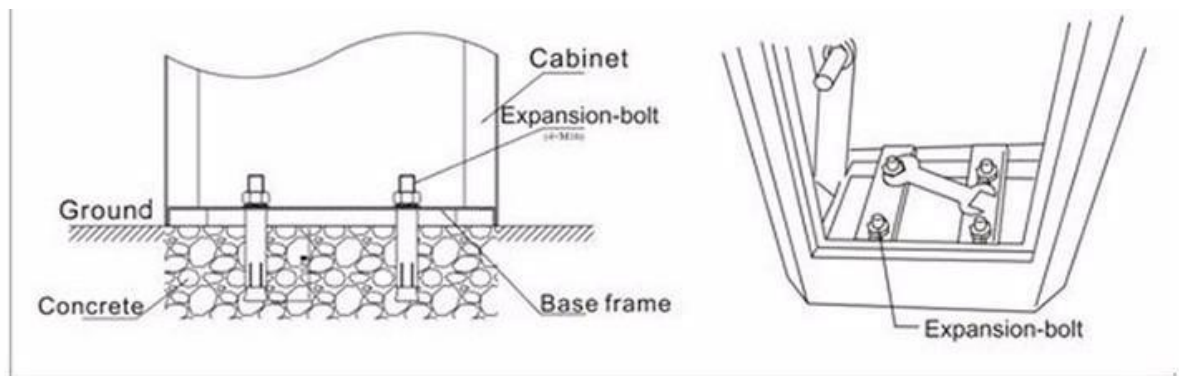
Installed with anti-hit pressure detector and rubber, when barrier is falling down and meets obstruction, it would automatically rise up, and the vehicle and pedestrian would not be hit.



High speed 1S



Easy installation



FAQ

Q: Why does the barrier boom open automatically sometimes?

A: Please check if the limit switch is on the right position or not. if not, please adjust the Limit Switch. Or you can adjust the adjusting screw. And the last step is to check the intensity of the spring.

Q: As for the over-heating problem of barrier gate

A: There is motor cooling inside the cabinet and solve the problem of overheat

Q: What's the remote control distance?

A: The remote control distance is 30m.